

ACX705AKM

ezLCD-001

LCD TFT Color Display
with Controller

EARTHLCD.COM

Features

- 240x160 TFT LCD color display
- Extensive set of commands
- Resident fonts
- Capability to upload fonts, icons and images

Interfaces:

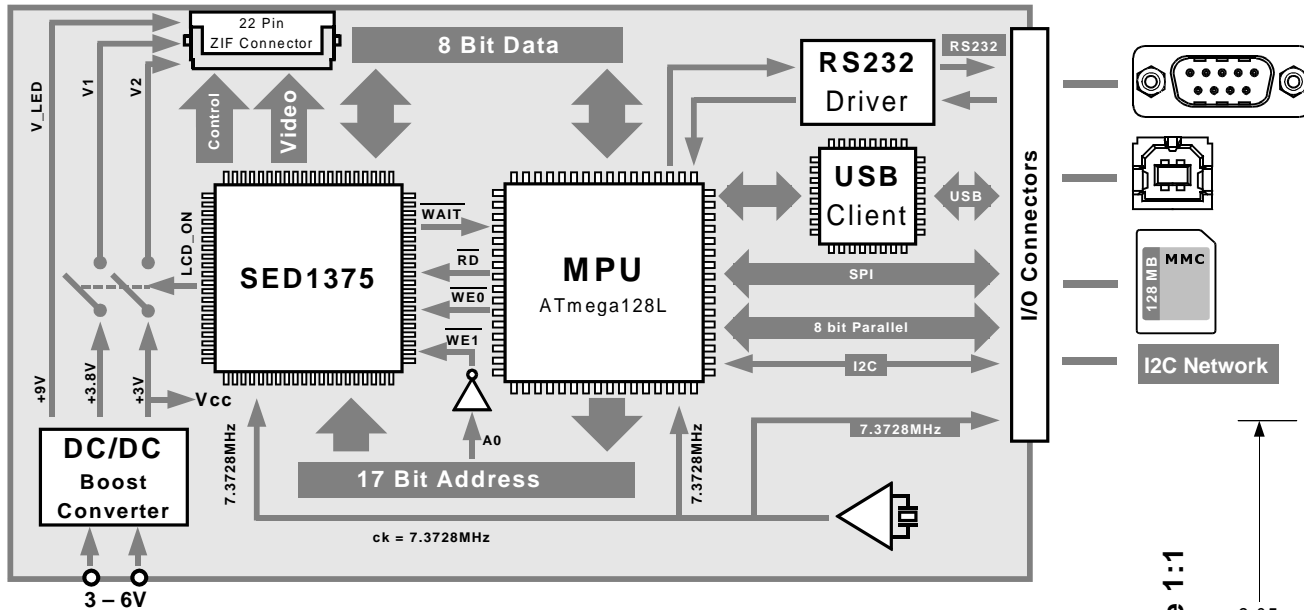
- RS232
- USB
- SPI
- I2C
- 8 bit Parallel

80kB of Flash memory available for custom fonts, icons, etc. They can be uploaded via RS232, USB or any other implemented interface.

Easy Firmware upgrades via RS232

Examples of Commands

- Clear_Screen
- Display_Bitmap
- Set_Color
- Plot
- Move
- Set_Display_Vertical
- Set_Display_Horizontal
- Put_Char
- Print_String
- Display_Icon
- Select_Font
- Upload_Font
- Upload_Icon
- Light_On
- Light_Off
- Sleep
- Wake_UP

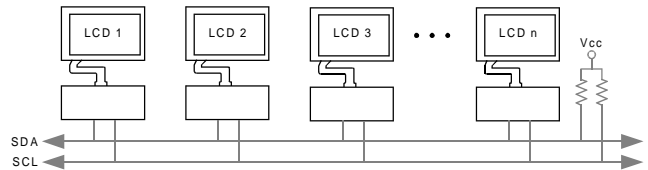


EARTHLCD.COM

32701 Calle Perfecto
San Juan Capistrano, CA 92675
949-248-2333
Fax: 949-248-2392
<http://www.EarthLCD.com>

Implemented I2C interface allows to drive up to 128 different LCDs using only two bi-directional bus lines.

Each LCD may be driven with the different data.



Scale 1:1

